



### Special Features

- CE & Atex approved electrical contacts
- Case & measuring system in SS
- Dry or liquid filled
- Accuracy up to 2.5% FS.

### Application

- Suitable for clean air
- Compatible gases
- Fertilizer
- Petrochemicals
- Pharmaceutical
- Power
- Cement
- Sugar
- Food & beverages
- Pulp
- Paper
- Allied process industries

### Specifications

#### Standard Version : 100 mm & 150 mm

Accuracy	:	±2.5% of F.S. (For ascending order)
Ambient temperature	:	- 25°C to + 65°C
Process temperature	:	Max. 100°C
Static pressure	:	10 kg/cm <sup>2</sup> up to ranges 600 mmWC
	:	40 kg/cm <sup>2</sup> for ranges 1000 mmWC to 4000 mmWC
	:	60 kg/cm <sup>2</sup> for ranges 6000 mmWC & above
Over pressure limit	:	130% of Max. Scale Value

☞ Static Pressure up to 100 kg/cm<sup>2</sup> on request.

Case & bezel	:	AISI 304 SS (Bayonet Type)
Diaphragm	:	AISI 316L SS
Nuts & bolts	:	AISI 304 SS
Process connection	:	1/4" NPT (F) x 2 Nos.
Seal chamber	:	AISI 304 SS
Movement	:	AISI 304 SS

Protection	:	IP 65
Dial	:	Aluminum, black graduation on white background
Pointer	:	Aluminum, black coloured, Micrometer Zero Adjustable
Window	:	Shatter proof / Safety Glass
Case Gasket	:	Neoprene
Vent Plug	:	EPDM
Diaphragm Sealing Gasket	:	Viton
Scale Amplitude	:	180° to 270° (For standard ranges)

#### Glycerine filled version (option PY)

Accuracy	:	±4% of F. S. (For ascending order)
Ambient Temperature	:	Maximum 65°C
Process Temperature	:	Maximum 65°C
Window	:	Plexi Glass
Dampening Liquids	:	Glycerin 99.7%
Other Features	:	Refer Specification of Standard Version

#### Electrical contacts - dry version

Accuracy	:	±3% of F. S. (For ascending order)
Ambient Temperature	:	Maximum 65°C
Process Temperature	:	Maximum 65°C
Window	:	Polycarbonate Dome
Dampening Liquids	:	Dielectric Oil (Optional)
Electrical Contacts*	:	Refer How to Order
Other Features	:	Refer Specification of Standard Version

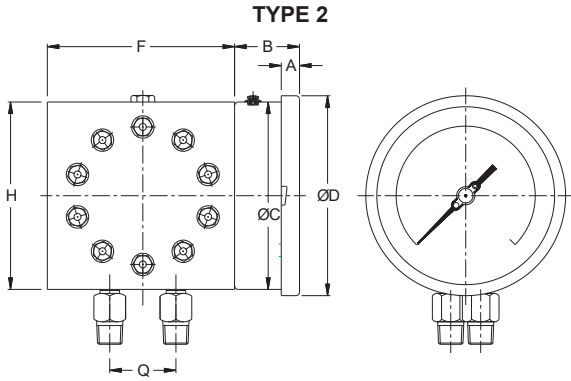
\* Please specify contact set points while ordering.

#### Temperature effect:

The variation of indication caused by effects of temperature is to be calculated by below formula; which is to be added in the specified accuracy while measurement :- Formula :  $\pm 0.08 \times (t_2 - t_1) \%$  of F. S. where  $t_1$  = reference temperature (+20°C) and  $t_2$  = ambient temperature in °C.

Note : The addition of mechanical electric contacts affects the accuracy of instruments such that 1% becomes 1.5%, 1.6% becomes 2.4% etc. (Add the 50% of accuracy; If the contact is of the magnetically assisted type, this value can't be added within the ±5% of setting point.)

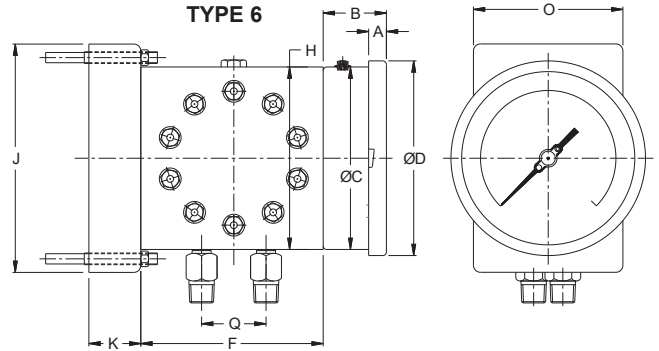
**Dimensions - standard version**



**LOW PRESSURE CHAMBER**

NS	A	B	ØC	ØD	F	H	Q	Weight in gram (With Box)
100	12.5	47	100	111	150	150	54*	8100.0
150	15	49	149	161	150	150	54*	8260.0

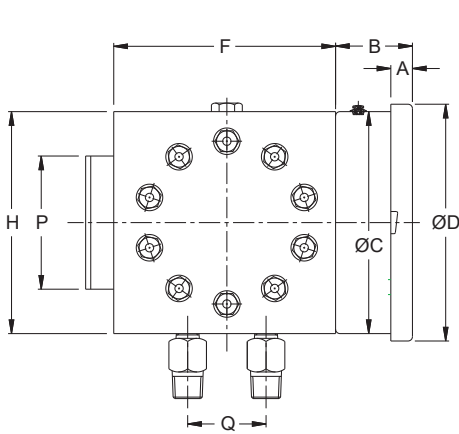
\* Refer details on page 3 of 5 for C-C distance.



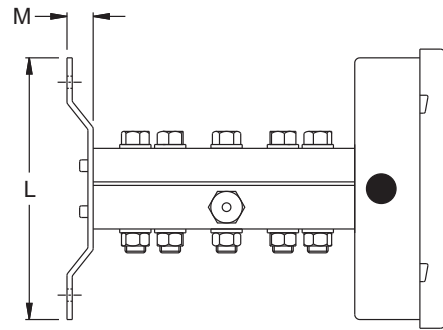
**LOW PRESSURE CHAMBER**

NS	A	B	ØC	ØD	F	H	Q	J	K	O	Weight in gram (With Box)
100	12.5	47	100	111	150	150	54*	161	39	101	9000.0
150	15	49	149	161	150	150	54*	161	39	101	9250.0

\* Refer details on page 3 of 5 for C-C distance.



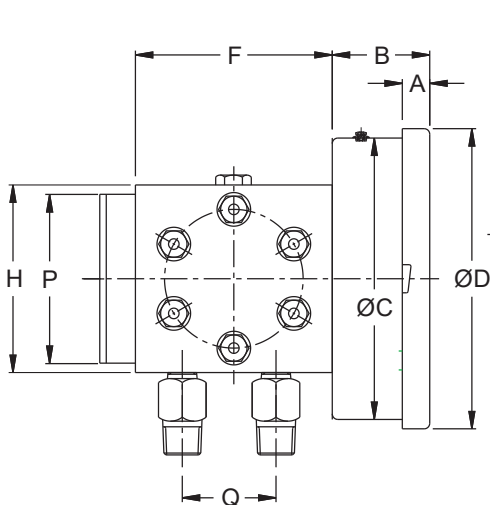
**TYPE 1**



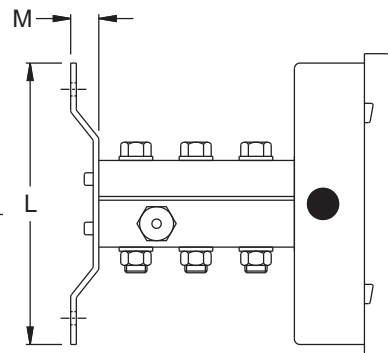
**LOW PRESSURE CHAMBER**

NS	A	B	ØC	ØD	F	H	Q	P	M	L	Weight in gram (With Box)
100	12.5	47	100	111	150	150	54*	90	15	150	8410.0
150	15	49	149	161	150	150	54*	90	15	150	8560.0

\* Refer details on page 3 of 5 for C-C distance.



**TYPE 1**

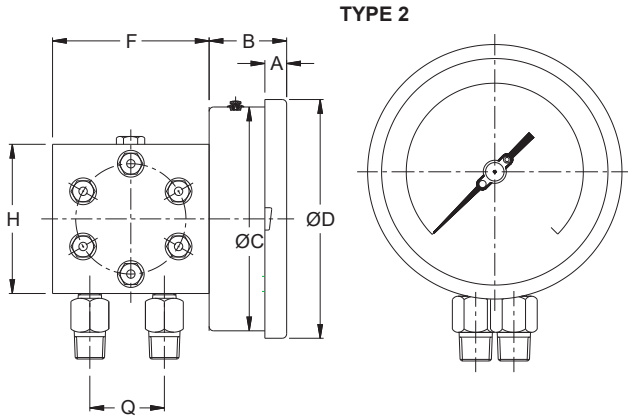


**HIGH PRESSURE CHAMBER**

NS	A	B	ØC	ØD	F	H	Q	P	M	L	Weight in gram (With Box)
100	12.5	47	100	111	105	100	54*	90	15	150	4610.0
150	15	49	149	161	105	100	54*	90	15	150	4760.0

\* Refer details on page 3 of 5 for C-C distance.

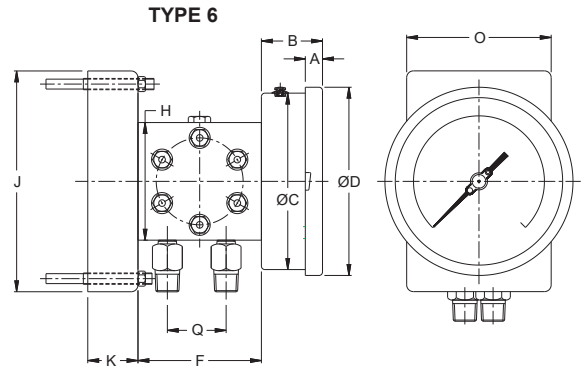
**Dimensions - standard version**



**TYPE 2**

NS	A	B	ØC	ØD	F	H	Q	Weight in gram (With Box)
100	12.5	47	100	111	105	100	54*	4250.0
150	15	49	149	161	105	100	54*	4400.0

\* Refer details on page 3 of 5 for C-C distance.

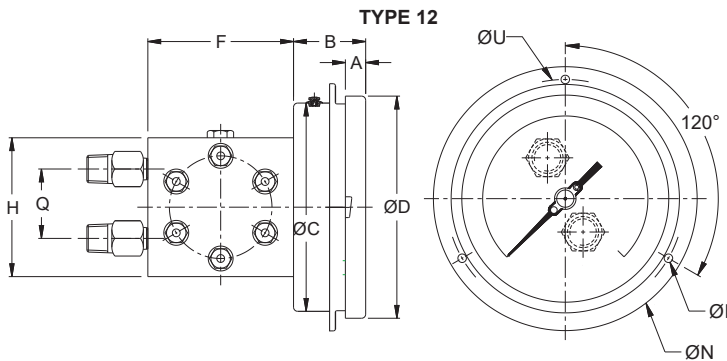


**TYPE 6**

**TYPE 6**

NS	A	B	ØC	ØD	F	H	Q	J	K	O	Weight in gram (With Box)
100	12.5	47	100	111	105	100	54*	161	39	101	5000.0
150	15	49	149	161	105	100	54*	161	39	101	5250.0

\* Refer details on page 3 of 5 for C-C distance.



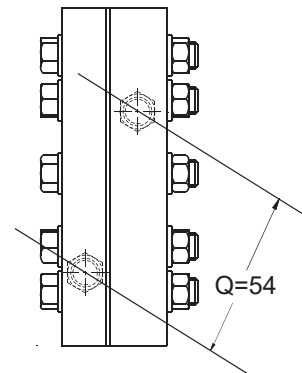
**TYPE 12**

**TYPE 12**

NS	A	B	ØC	ØD	F	H	Q	ØN	ØU	ØI	Weight in gram (With Box)
100	12.5	47	100	111	105	100	54*	134	118	6	4250.0
150	15	49	149	161	105	100	54*	186	168	6	4400.0

\* Refer details on page 3 of 5 for C-C distance.

**\*DETAILS - CENTER TO CENTER DISTANCE**



Notes : • Drawings are not to scale.  
• All Dimensions are in mm.  
• NS = Nominal Size.

**Range Table**

Note : We offer Pressure, Vacuum and Compound ranges in Scales like kPa, MPa, bar, psi, kg/cm<sup>2</sup> & Dual Scale like kPa with psi, kPa with bar, bar with psi or scales as per the requirement can be provided on request. Following are the example tables for kg/cm<sup>2</sup> & psi scales

**Pressure range (Single Scale)**

Low Pressure			High Pressure		
mmWC	mmWC	mmWC	kg/cm <sup>2</sup>	kg/cm <sup>2</sup>	kg/cm <sup>2</sup>
0/250	0/1000	0/4000	0/0.6	0/2	0/6
0/400	0/1600		0/1	0/2.5	0/10
0/600	0/2500		0/1.6	0/4	

Note : Other Scale are available on customer request.

**Accessories (refer datasheet for complete specifications)**

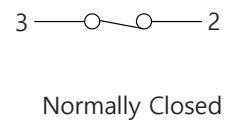
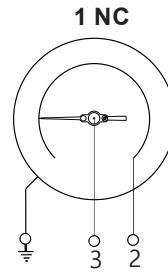
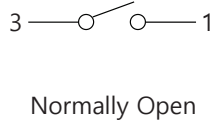
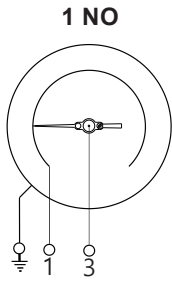
\* Manifolds

\* Refer catalogue for Valves & Manifolds

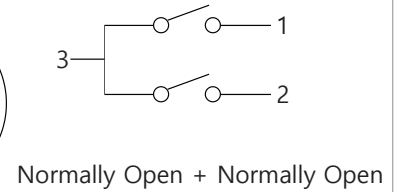
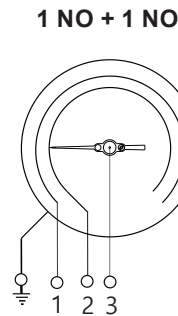
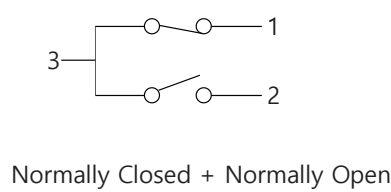
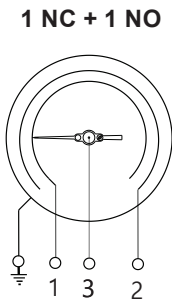
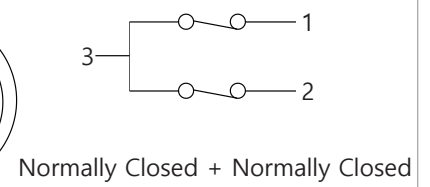
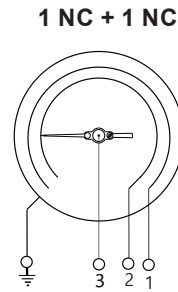
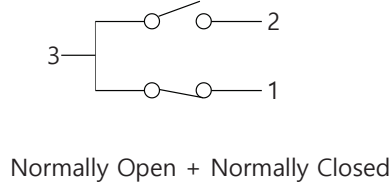
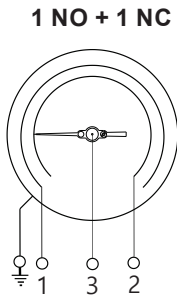
**Range Table**

**Wiring diagrams for electric contacts**

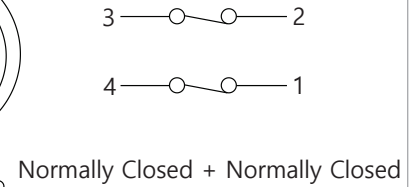
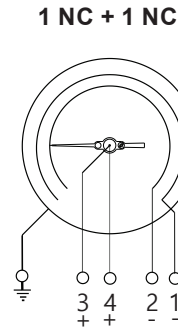
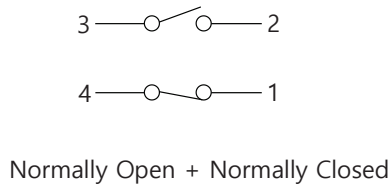
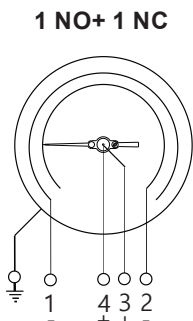
**Single Contact**



**Double Contact**



**Independent double contact**



How To Order				Example			
<b>Basic Model</b>				BA			
<b>Code</b>							
<b>Nominal Size</b>		<b>F</b>	<b>H</b>	X			
		100 mm	150 mm				
<b>Type of Mounting</b>							
1	Wall / surface / projection mounting with bottom entry			X			
2	Direct bottom entry			OR			
6	2" pipe / yoke mounting bottom entry			XX			
12	Center back entry with front flange (suitable for high pressure chamber only)						
<b>Gauge Connection (through adaptors)</b>							
<b>4BM</b>	1/4" NPT (M) x 1/2" BSP (M) X 2 Nos.	<b>4NM</b>	1/4" NPT (M) x 1/2" NPT (M) X 2 Nos.	<b>2NF</b>	1/4" NPT (F) (Standard)*	XXX	
* These female connections are directly provided on chamber. Note : Connections like Metric/ PT/ PF/ Flaired/ UNF/ G/ R etc can be provided on request.							
<b>Diaphragm</b>							
<b>UJ</b>	AISI 316L SS (Standard)		<b>UM</b>	MONEL	XX		
<b>Chamber</b>							
<b>CY</b>	AISI 304 SS (Standard)		<b>RB</b>	AISI 316 SS	<b>RD</b>	MONEL	XX
<b>Range</b>							
Refer range table				0/2 kg/cm <sup>2</sup>			
<b>Options</b>							
<b>PS</b>	AISI 316 SS case & bezel		<b>RZ</b>	Toughened glass	XX		
<b>PW</b>	Five point calibration certificate		<b>RH</b>	Custom designed dial			
<b>PY</b>	Dampening liquid glycerine filled		<b>RW</b>	Plexi glass			
<b>QA</b>	Dampening liquid silicon oil**		<b>SW</b>	Dial tag marking			
<b>GH</b>	Material test certificates#		<b>SX</b>	SS tag plate			
<b>JU</b>	2" pipe/yoke mounting bracket & 'U' clamp (AISI 304 SS)		<b>TF</b>	Conformity as per NACE standard			
<b>FN</b>	2" pipe/yoke mounting bracket & 'U' clamp (AISI 316 SS)		<b>ZZ</b>	Dielectric oil filled**			
<b>BW</b>	Solid front version with Baffle Wall/ Plate		<b>EZ</b>	External zero adjustment			
			<b>RI</b>	25 mm BOD			
** Gasket & BOD of Viton.							
# Material test certificates will be provided for wetted parts only with chemical composition testing. For others, Please consult factory							
<b>Electric Contacts ( CEC &amp; Atex approved)</b>							
<b>(For dry version, with ingress protection up to IP 55 &amp; poly carbonate dome as a window)</b>							
<b>A) Single insulated magnetic snap action type</b> (230 V AC, 1 Amp.) (48 V DC, 0.5 Amp.) (available for 1 kg/cm <sup>2</sup> & above)		<b>B) Inductive type (220 V AC, 0.4 Amp.)</b> (available for 1000 mmWC & above)					
<b>RJ</b>	Single; normally closed (1 NC)		<b>YW</b>	Single; normally open (1 NO)	XX		
<b>RK</b>	Double; normally closed + normally open (1 NC +1 NO)		<b>YV</b>	Single; normally closed (1 NC)			
<b>RL</b>	Single; normally open (1 NO)		<b>YX</b>	Double; normally closed + normally open (1 NC +1 NO)			
<b>RM</b>	Double; normally open + normally closed (1 NO + 1 NC)		<b>YY</b>	Double; normally open (both NO)			
<b>RN</b>	Double; normally closed (both NC)		<b>YZ</b>	Double; normally closed (both NC)			
<b>RO</b>	Double; normally open (both NO)		<b>ZA</b>	Double; normally open + normally closed (1 NO + 1 NC)			
<b>RU</b>	Booster with relay for current upto 5 Amp.						
<b>RA</b>	SPDT						
<b>RC</b>	DPDT						

**Ordering Example: BA . X . X OR XX . XXX . XX-XX . 0/2 kg/cm<sup>2</sup> . XX . XX**

For other optional items, please contact factory for delivery and minimum quantity of order.

For diaphragm seals, valves & manifolds, refer individual data sheets.

(The capillary length shall be maximum up to 3 meters & range shall be above 1 kg/cm<sup>2</sup>.)

Note : Specifications and dimensions given in this product catalogue represents the state of engineering at the time of printing .

Modifications may take place and materials specified may be replaced by others without prior notice.